



CEDAR CREEK

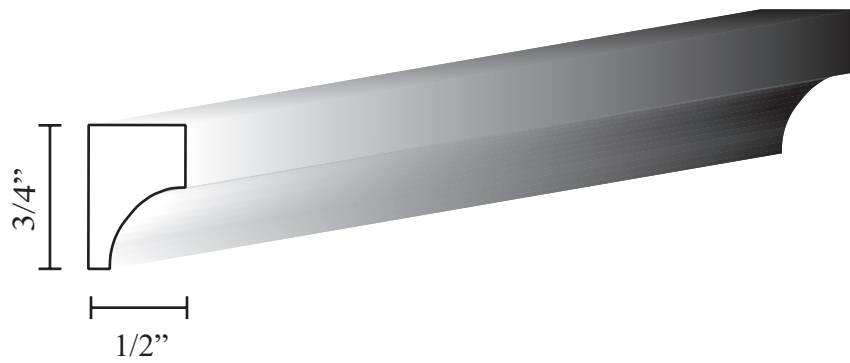
HARDWOODS

STAIR PARTS

*Stocked profiles and the species they are stocked in are listed under the profile picture

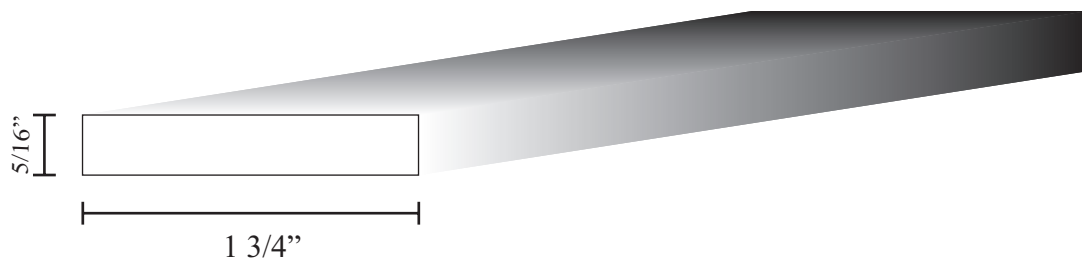
*All other profiles are manufactured upon order

Profile #
CCH 1701-.75
1/2" X 3/4"



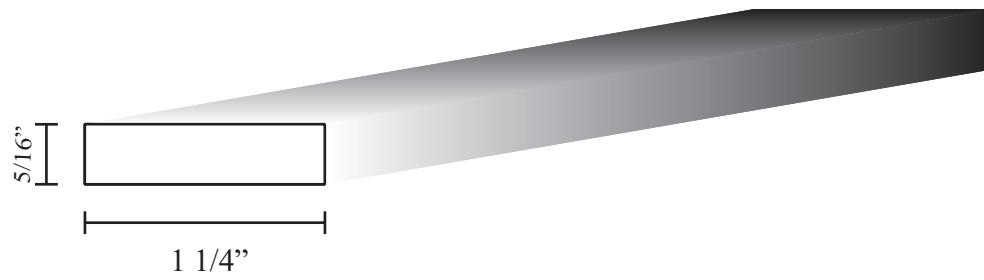
*Stocked in Cherry, Hickory, Poplar, Red Oak, & White Hard Maple

Profile #
CCH 1705-1.75
5/16" X 1 3/4"



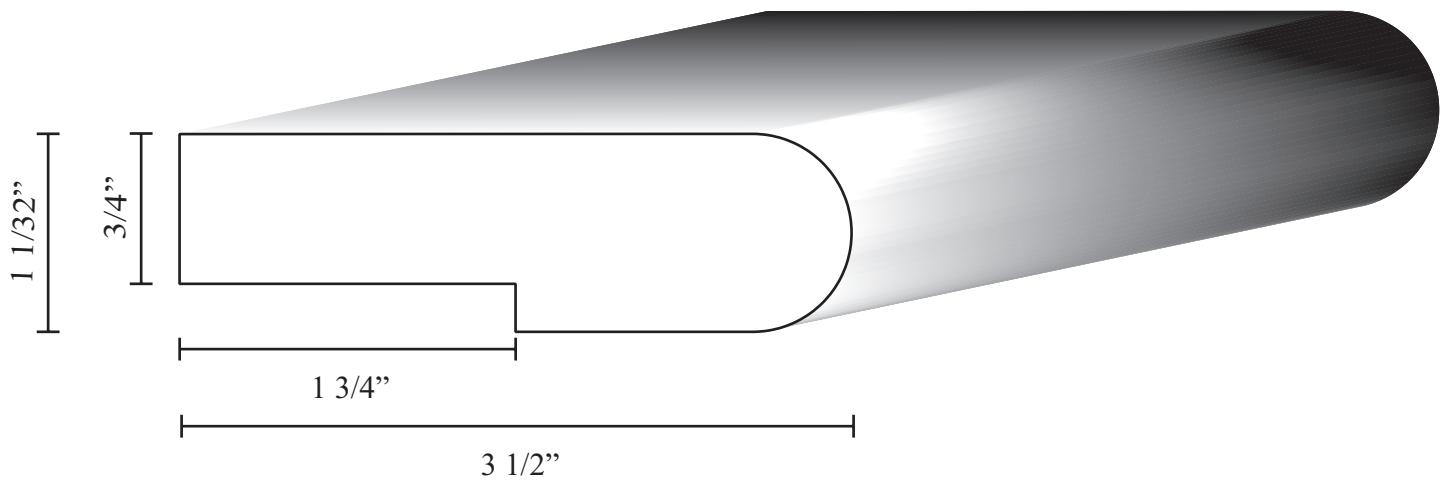
*Stocked in Poplar & Red Oak

Profile #
CCH 1705-1.25
5/16" X 1 1/4"



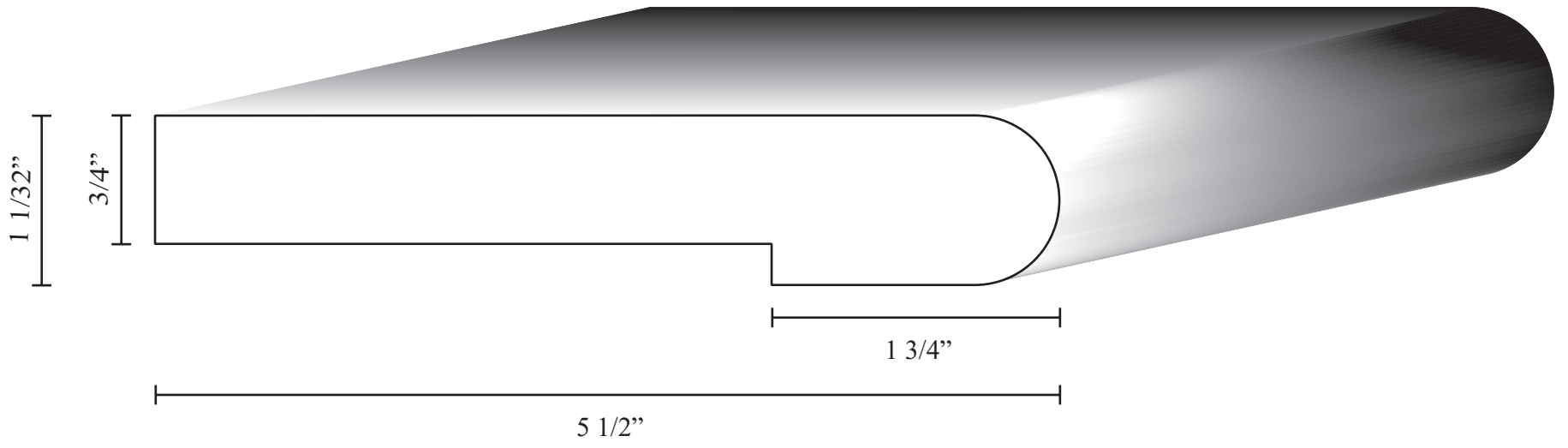
*Stocked in Poplar & Red Oak

Profile #
CCH 1706-3.5
1 1/32" X 3 1/2"
Landing Tread



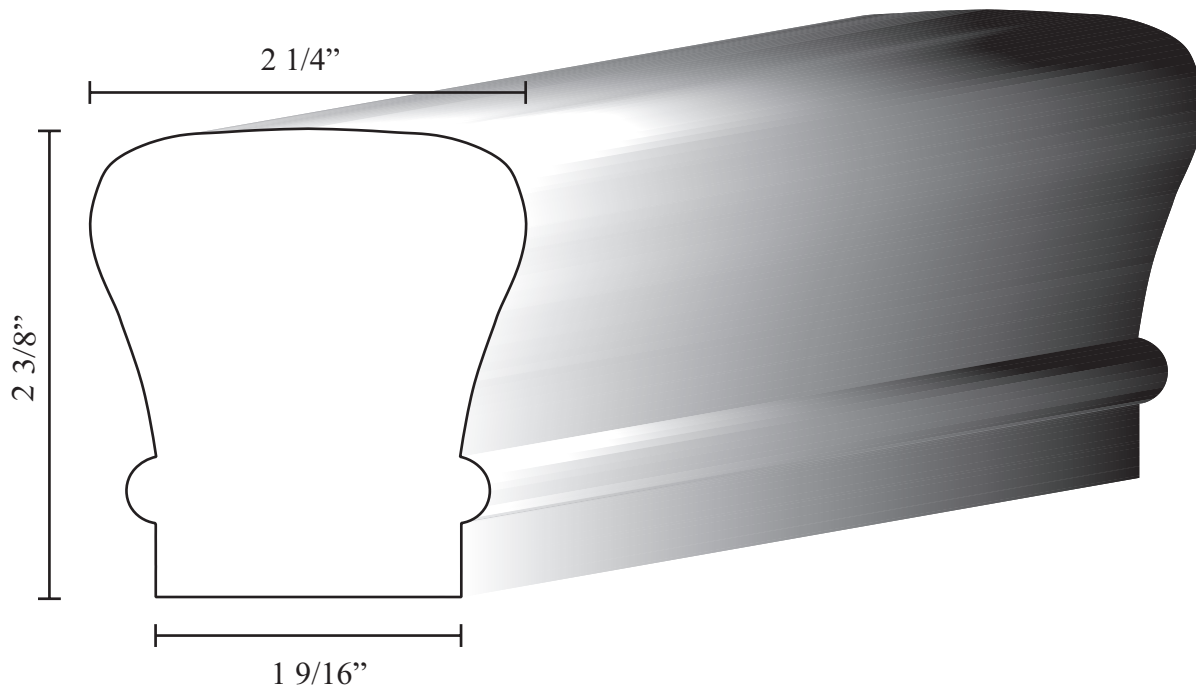
*Stocked in Red Oak

Profile #
CCH 1706-5.5
1 1/32" X 5 1/2"



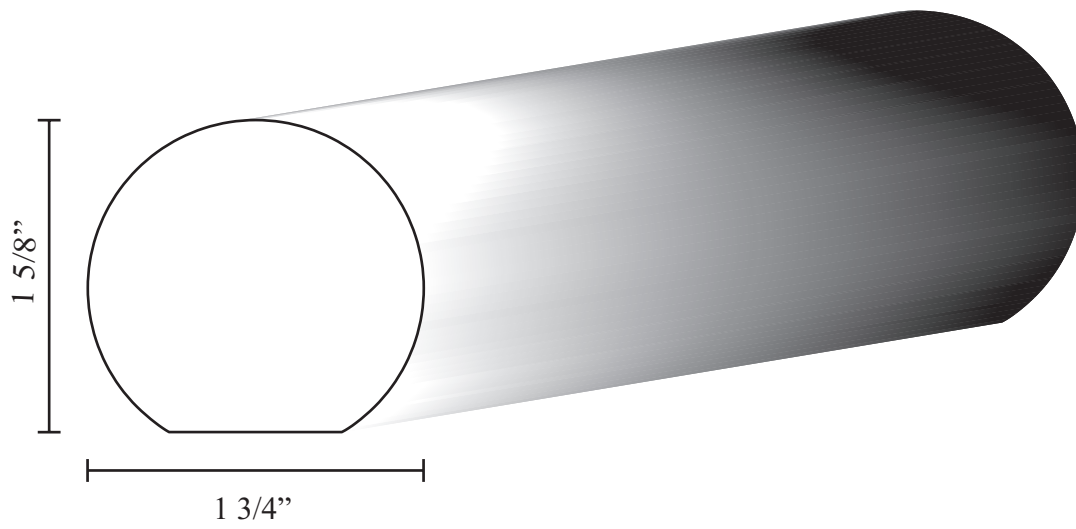
*Stocked in Red Oak

Profile #
CCH 6010-2.25
2 3/8" X 2 1/4"
6010 Handrail

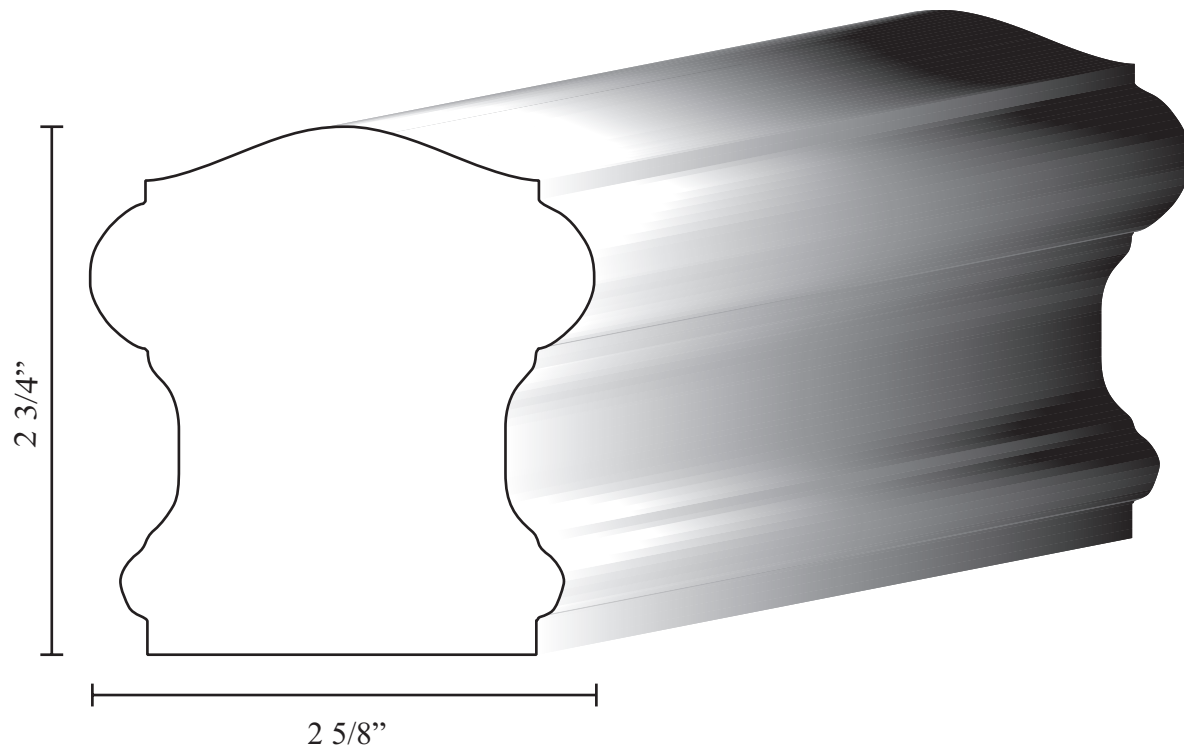


*Stocked in Red Oak

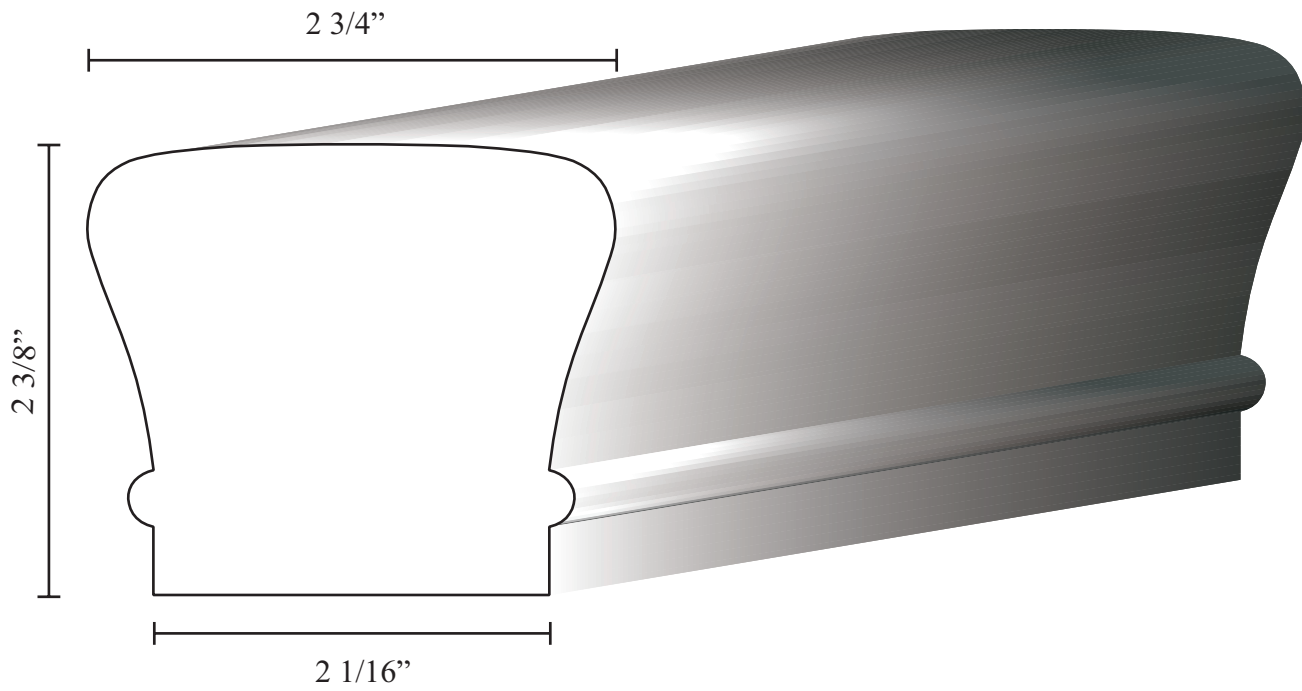
Profile #
CCH 6040-1.75
1 5/8" X 1 3/4"
Basement rail



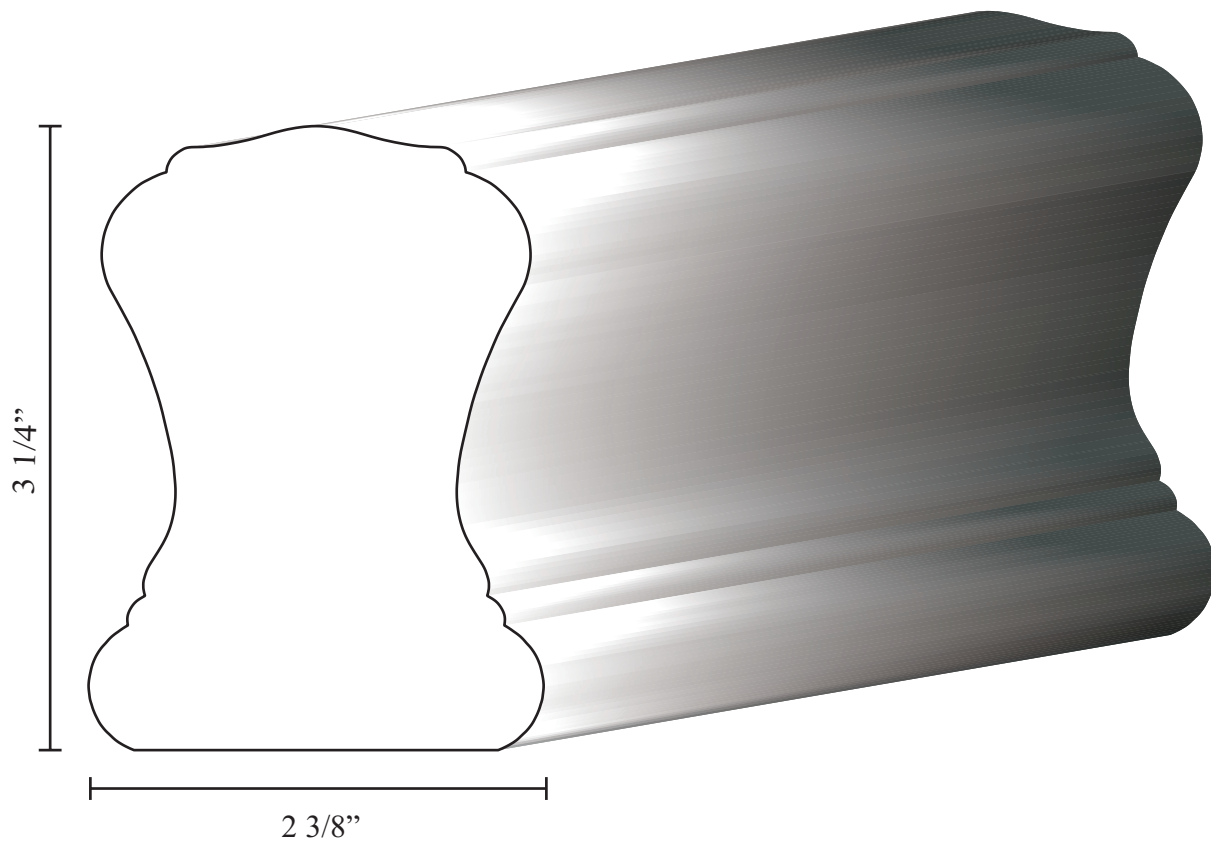
Profile #
CCH 6115-2.625
2 3/4" X 2 5/8"
Midwestern Rail



Profile #
CCH 6210-2.75
2 3/8" X 2 3/4"
6210 Handrail



Profile #
CCH 6410-2.375
3 1/4" X 2 3/8"
Comfort Rail
Patent D379224
For Retail Use Only



*Stocked in Red Oak

Profile #
CCH 6510-2.625
2 3/8" X 2 5/8"
Newport Rail

